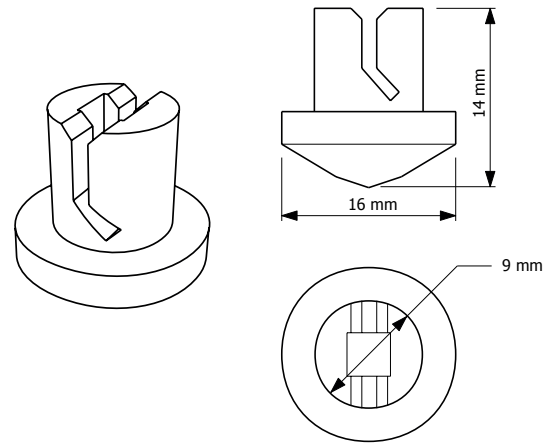




### Dimensions



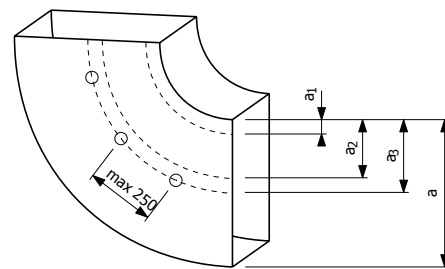
### Description

DFPRQ guides are intended for installing turning vanes in rectangular fittings to direct the air flow. They are made of galvanised steel with rubber gasket. They are used for the installation of sheet metal with a thickness from 0.4 to 1.1mm.

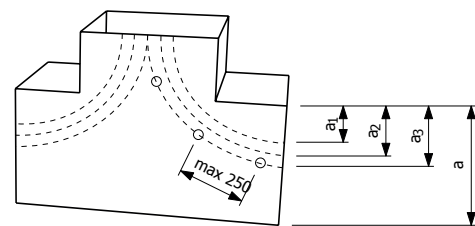
Example identification  
 Product code: DFPRQ  
 type \_\_\_\_\_

Unlike the guides, the turning vanes are integrated with the fittings, and they are not available as separate products.

### Installation diagram



Bends layout of turning vanes



T-piece layout of turning vanes

duct width [mm]	number of vanes [pcs]	Distances between turning vanes		
		a <sub>1</sub>	a <sub>2</sub>	a <sub>3</sub>
> 400 ≤ 800	1	a/3	-	-
> 800 ≤ 1600	2	a/4	a/2	-
> 1600 ≤ 2000	3	a/8	a/3	a/2